

Engine	Cummins B7T3-133A1
Rated Power	133 kW (178 hp / 181 ps) @ 2,200 rpm
Operating Weight	15,800 kg
Standard Bucket Size	3.0 m ³
Standard Breakout Force	166 kN
Standard Dump Clearance	2,952 mm

848T WHEEL LOADER

ENGINE

Emission Regulation	Tier 3 / Stage III
Manufacturer	Cummins
Model	B7T3-133A1
Rated Power	133 kW (178 hp / 181 ps) @ 2,200 rpm
Peak Torque	946 N·m @ 1,500 rpm
Displacement	6.7 L
Number of Cylinder	6
Aspiration	Turbocharged & Air-to-air intercooled

TRANSMISSION

Transmission Type	Single stage, three elements
Torque Converter	Countershaft, power shift
Maximum Travel Speed, fwd	39.2 km/h
Maximum Travel Speed, rev	26.6 km/h
Number of Speed, fwd	4
Number of Speed, rev	3

AXLES

Differential Front Type	Limited slip
Differential Rear Type	Limited slip
Axle Oscillation	±12°

STEERING

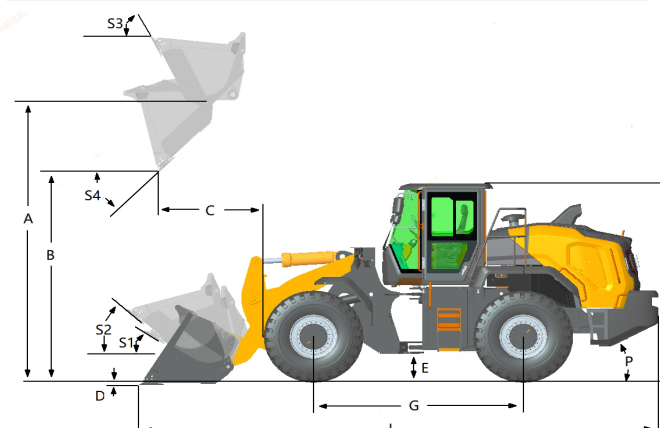
Steering Configuration	Load sensing hydraulic steering
Steering Relief Pressure	22 MPa

BRAKES

Service Brake Type	Wet discs brake
Service Brake Actuation	Full hydraulic
Parking Brake Type	Drum
Parking Brake Actuation	Electro-hydraulic release

HYDRAULIC SYSTEM

Main Pump Type	Piston
Main Relief Pressure	28 MPa
Raise	5.2 s
Dump Time	1.1 s
Float Down Time	3.1 s
Fastest Total Cycle Time	9.4 s



LOADER ARM PERFORMANCE WITH STANDARD BUCKET 3.0 m³

Tipping Load - Straight (ISO 14397-1:2007)	11,550 kg
Tipping Load - Full Turn (ISO 14397-1:2007)	9,800 kg
Bucket Breakout Force	166 kN
A Maximum Hinge Pin Height	3,998 mm
B Dump Clearance at Full Height Discharge	2,952 mm
C Dump Reach at Full Height Discharge	1,060 mm
D Maximum Digging Depth, Bucket Level	70 mm
S ₁ Rollback at Ground Level	42 °
S ₂ Bucket Rollback at Carry	47 °
S ₃ Bucket Rollback at Maximum Height	60 °
S ₄ Maximum Dump Angle at Full Height	45 °

BUCKET PERFORMANCE

Reference Bucket	2.5-6.0 m³
------------------	------------

DIMENSIONS

E Ground Clearance	400 mm
G Wheelbase	3,100 mm
H Cab Height	3,330 mm
J Wheel Tread	2,150 mm
K Width over Tires	2,670 mm
L Length with Bucket Down	7,760 mm
M Turn Angle, Either Side	40 °
P Rear Angle of Departure	29 °
R ₁ Turning Radius, Bucket Carry	6,272 mm
R ₂ Turning Radius, Outside of Tire	5,645 mm
W Width over Bucket	2,920 mm

TIRES

Radial Tire Size	20.5R25
------------------	---------

OPERATING WEIGHTS

Operating Weight	15,800 kg
------------------	-----------

SERVICE CAPACITY

Fuel Tank	240 L
Engine Oil	20 L
Cooling System	28 L
Hydraulic System	140 L
Transmission	40 L
Axles, Front/Rear	50/48 L

